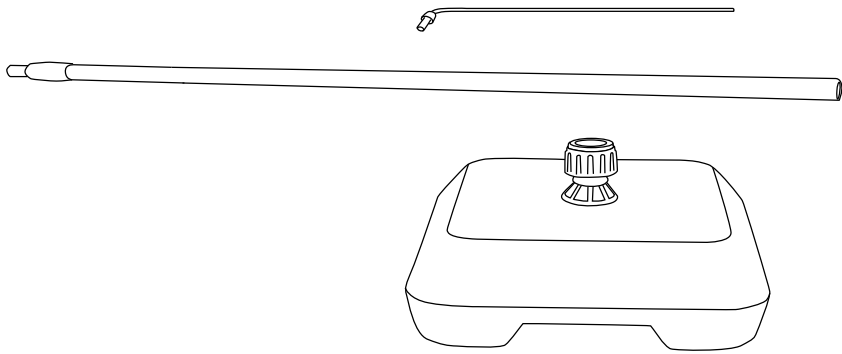


Pieces required for assembly



Set-up

